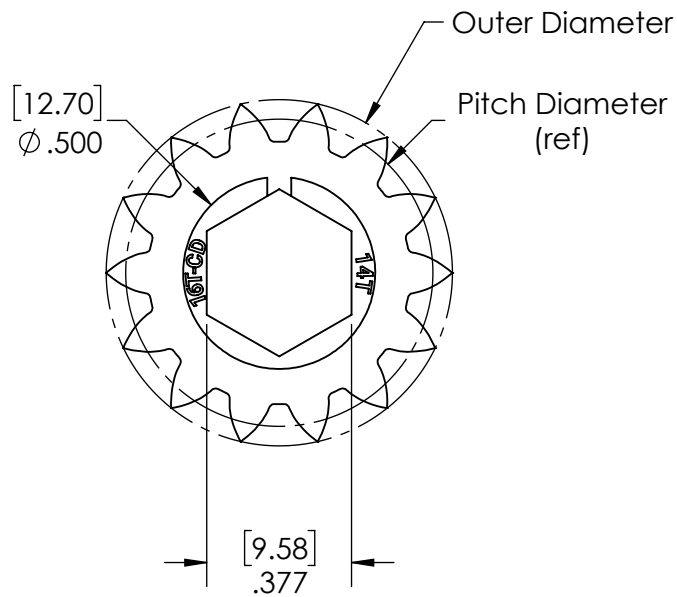


Part #	Tooth Count	Pitch Diameter (ref)	Outer Diameter	Material
WCP-1717	14	0.800	0.902	4140 Steel
WCP-1718	14	0.800	0.902	7075-T6 Aluminum
WCP-1719	16	0.900	1.000	4140 Steel
WCP-1720	16	0.900	1.000	7075-T6 Aluminum



Description		20DP Pitch Shifted Gears	
Dwg No		Web-20DP Pitch Shifted Gears	
Project		FIRST Robotics - FRC	Sheet 1 of 1
Release	10/25/2024	ALL DIMENSIONS ARE IN INCHES [MM].	

WWW.WCPRODUCTS.COM